


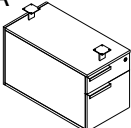
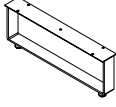


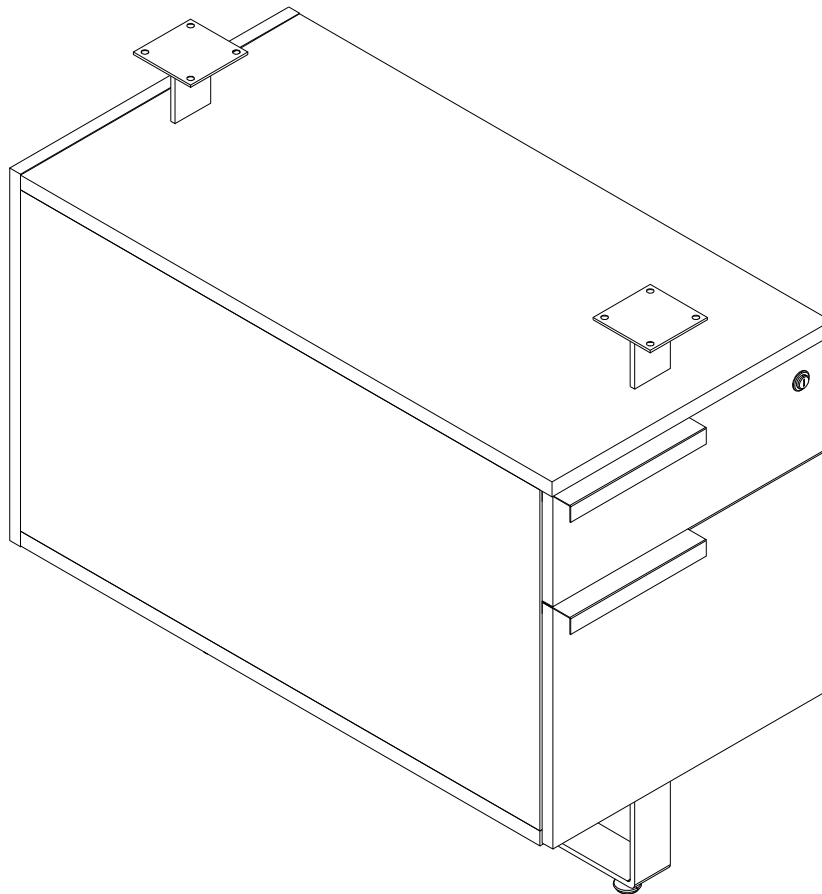


**30" Deep Main Desk Pedestal BF  
24" Deep Cedenza-Return Pedestal**

P.1



<p>1</p>  <p>Keys 2 Pcs</p>	<p>2</p>  <p>Screw M6*15 15 Pcs</p>	<p>3</p>  <p>M4 Allen Wrench 1 Pc</p>	<p>A</p>  <p>Pedestal 1 Pc</p>	<p>B</p>  <p>Metal Leg 1 Pc</p>
--	--	--	--	--



**IMPORTANT NOTE:**

- Place all wooden parts on a clean and smooth surface such as a rug or carpet to avoid the parts from being scratched
- Check that you have all parts and hardware.
- Remove all wrapping materials, including staples & packing straps before you start assemble.
- Do not tighten all screws or bolts until all completely assembled.
- Keep all hardware parts out of reach of children.

## 24" Deep Cedenza-Return Pedestal

P.2

- 1 Use the screws (2) to attach the metal leg (B) under the Pedestal (A)

Notes: This Assembly Instruction applies to all Pedestals of Main Desk, Credenza and Return.

